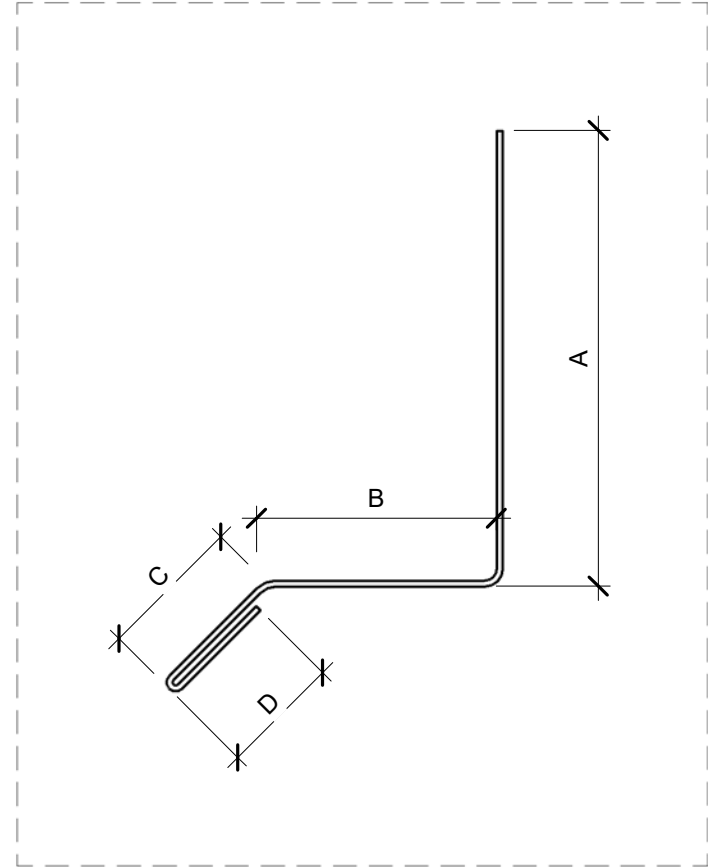


1. Drip Cap/Flashing - part 908



Section - 5" material

METALUNIC

D402-1 : 10/2024

**Portfolio of Board & Batten System
Manufactured Trims & Moldings**

Project number

Date

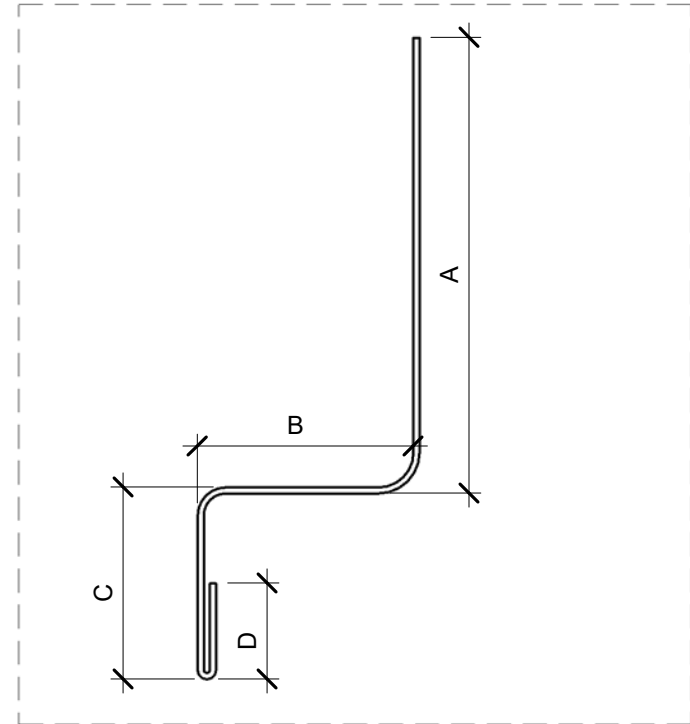
Drawn by

Checked by

Drip Cap/Flashing - part 908

Scale NOT TO SCALE

2. Transition/Conversion 90 degrees - part 912



Section - 5" material

METALUNIC

D402-1 : 10/2024

Portfolio of Board & Batten System
Manufactured Trims & Moldings

Project number

Date

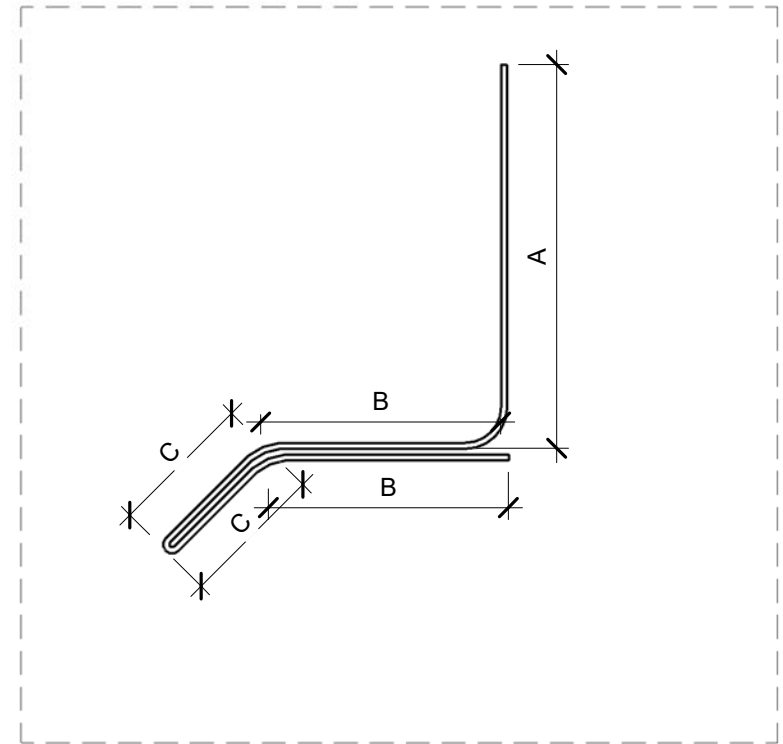
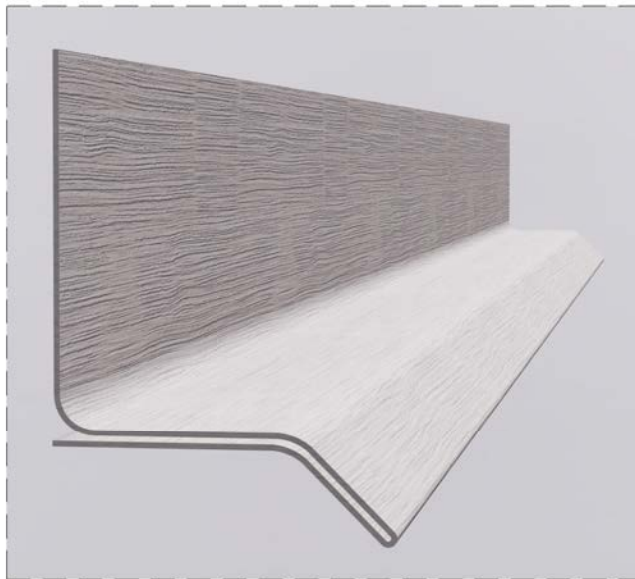
Drawn by

Checked by

Transition/Conversion 90 degrees - part 912

Scale NOT TO SCALE

3. Drip Flashing Double - part 952



Section - 6" material

METALUNIC

D402-1 : 10/2024

**Portfolio of Board & Batten System
Manufactured Trims & Moldings**

Project number

Date

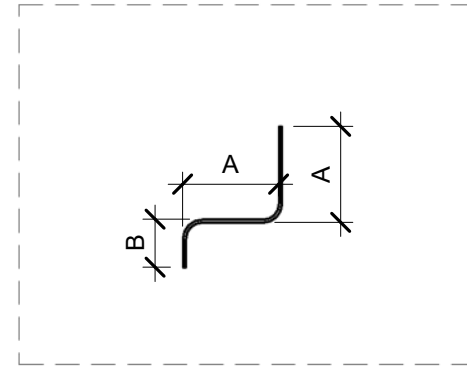
Drawn by

Checked by

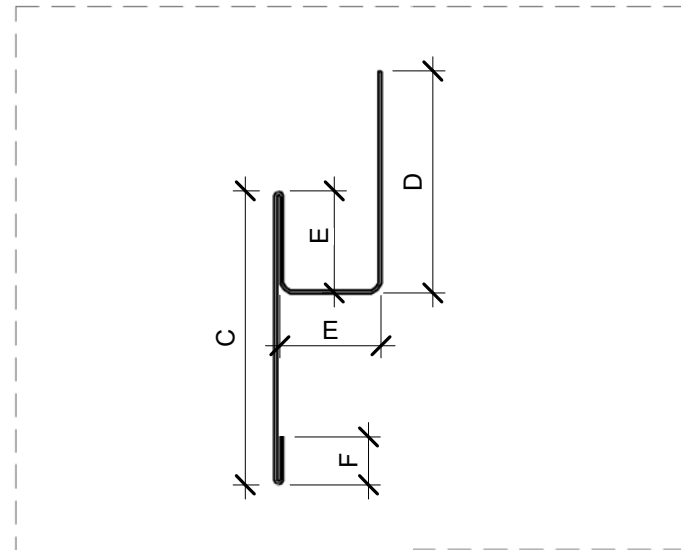
Drip Flashing Double - part 952

Scale NOT TO SCALE

4. Vertical Transition in 2 parts - part 954



Section - 2.5" material



Section - 8" material

METALUNIC

D402-1 : 10/2024

**Portfolio of Board & Batten System
Manufactured Trims & Moldings**

Project number

Date

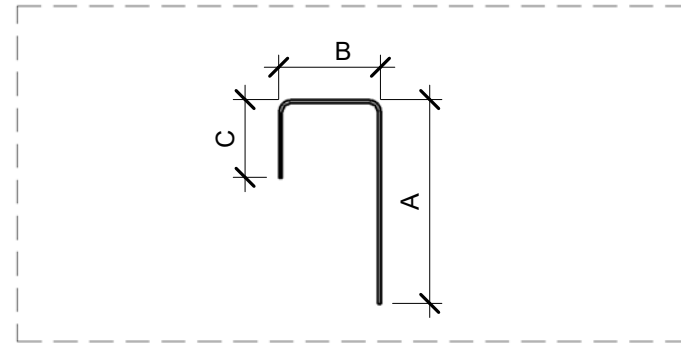
Drawn by

Checked by

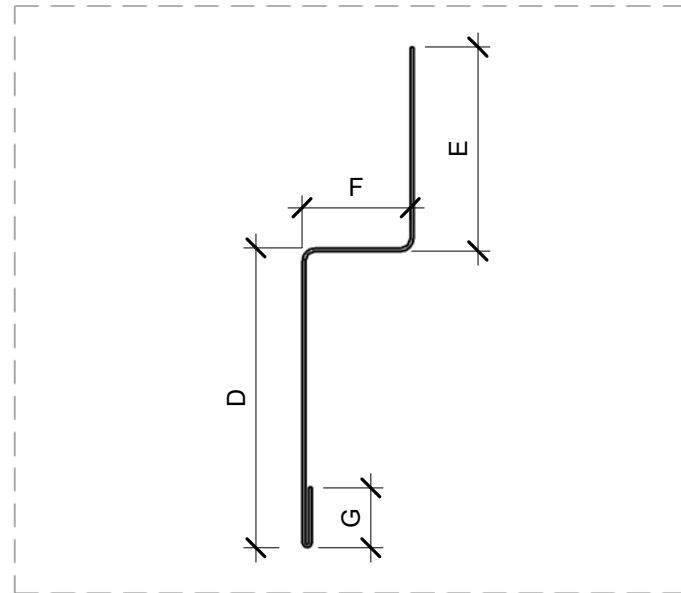
Vertical Transition in 2 parts - part 954

Scale NOT TO SCALE

5. Horizontal Transition in 2 parts - part 955



Section - 4" material



Section - 7" material

METALUNIC

D402-1 : 10/2024

Portfolio of Board & Batten System
Manufactured Trims & Moldings

Project number

Date

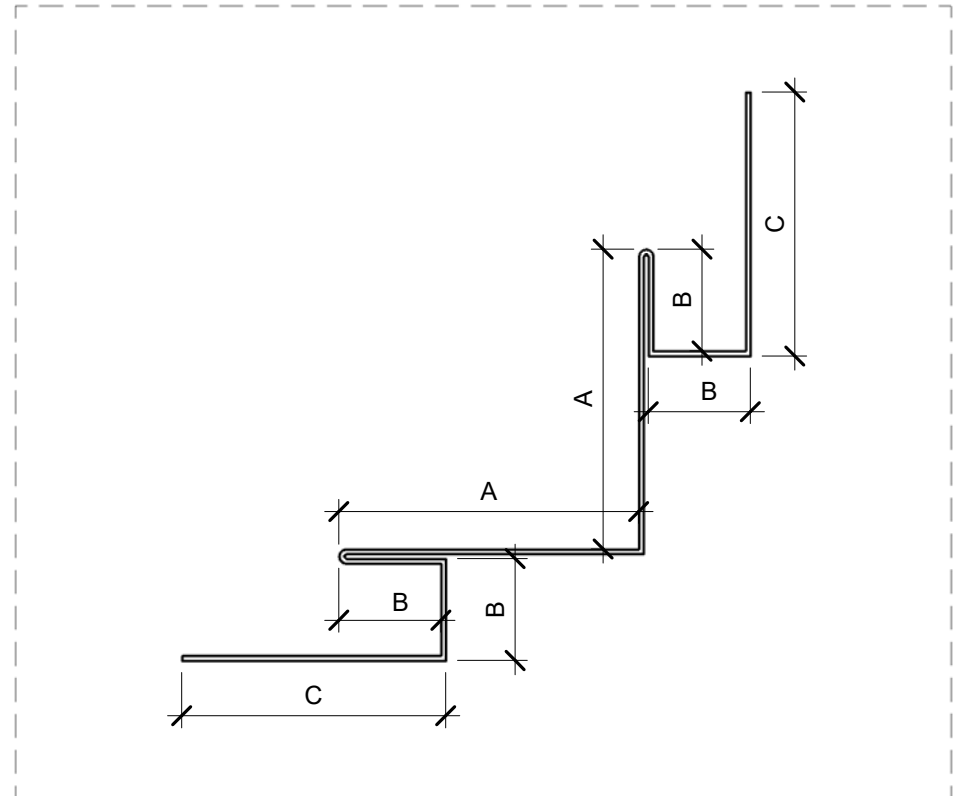
Drawn by

Checked by

Horizontal Transition in 2 parts - part 955

Scale NOT TO SCALE

6. Inside Corner - part 906



Section - 16" material

METALUNIC

D402-1 : 10/2024

**Portfolio of Board & Batten System
Manufactured Trims & Moldings**

Project number

Date

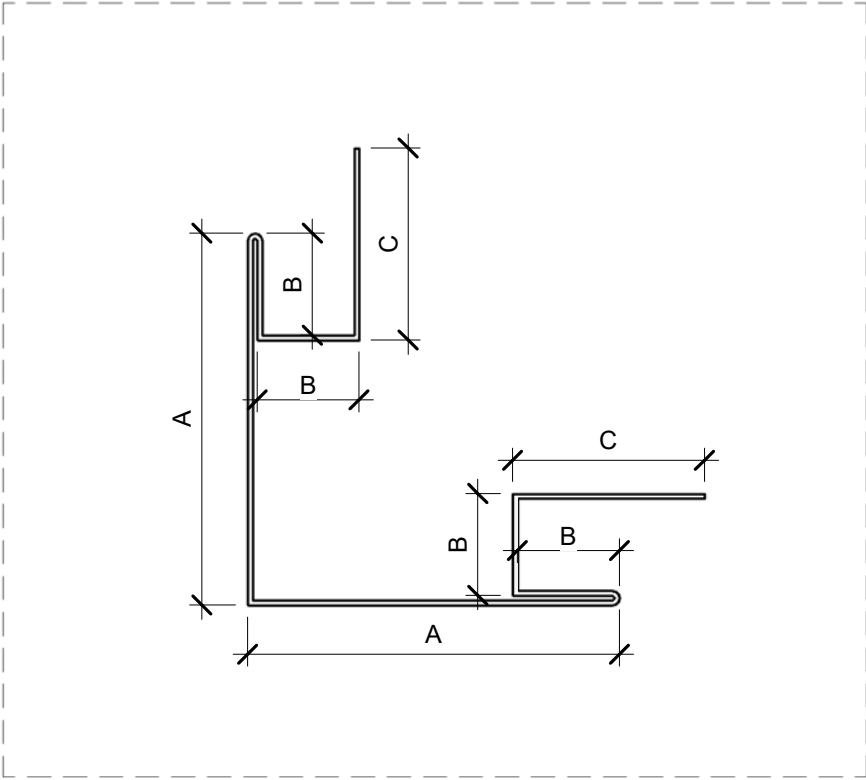
Drawn by

Checked by

Inside Corner - part 906

Scale NOT TO SCALE

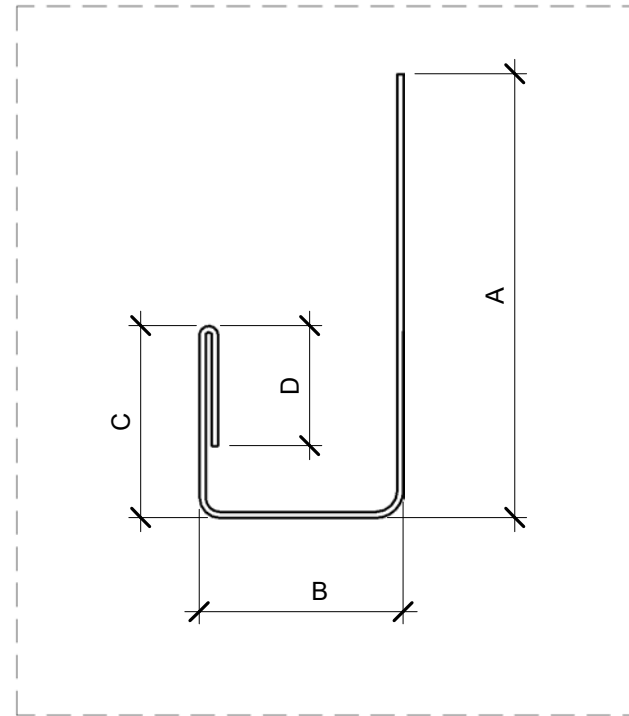
7. Outside Corner - part 900



Section - 16" material

<p>METALUNIC</p>	<p style="text-align: right;">D402-1 : 10/2024</p>	
<p>Portfolio of Board & Batten System Manufactured Trims & Moldings</p>	<p>Project number</p>	<p>Outside Corner - part 900</p>
	<p>Date</p>	
	<p>Drawn by</p>	<p>Scale NOT TO SCALE</p>
<p>Checked by</p>		

8. J Molding - part 905



Section - 5" material

METALUNIC

D402-1 : 10/2024

**Portfolio of Board & Batten System
Manufactured Trims & Moldings**

Project number

Date

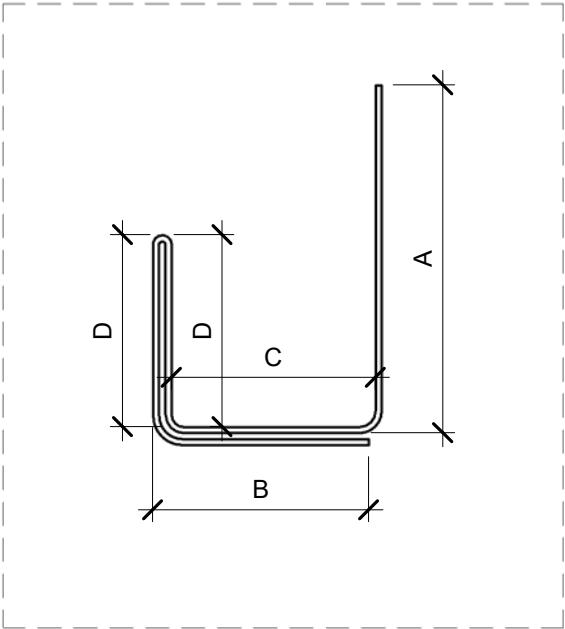
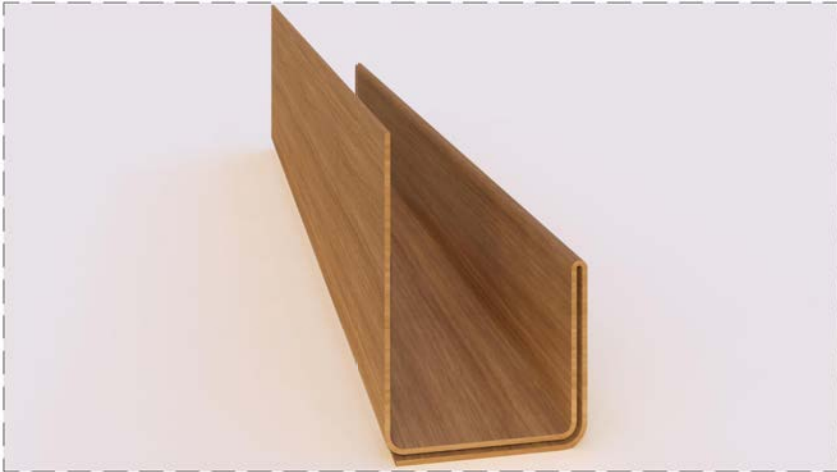
Drawn by

Checked by

J Molding - part 905

Scale NOT TO SCALE

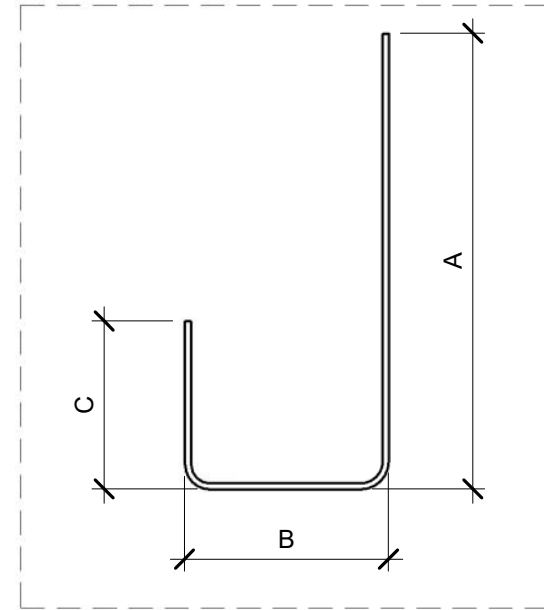
9. J Molding Double - part 902



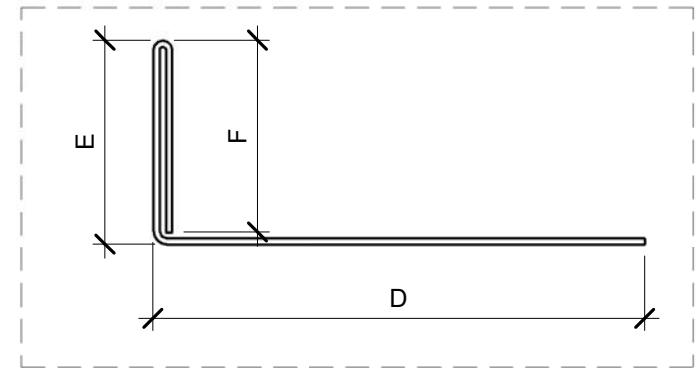
Section - 6" material

<p>METALUNIC</p>	<p style="text-align: right;">D402-1 : 10/2024</p>	
<p>Portfolio of Board & Batten System Manufactured Trims & Moldings</p>	<p>Project number</p>	<p>J Molding Double - part 902</p>
	<p>Date</p>	
	<p>Drawn by</p>	<p>Scale NOT TO SCALE</p>
<p>Checked by</p>		

10. J Molding Extended in 2 parts - part 953



Section - 4.3125" material



Section - 4.625" material

METALUNIC

D402-1 : 10/2024

Portfolio of Board & Batten System
Manufactured Trims & Moldings

Project number

Date

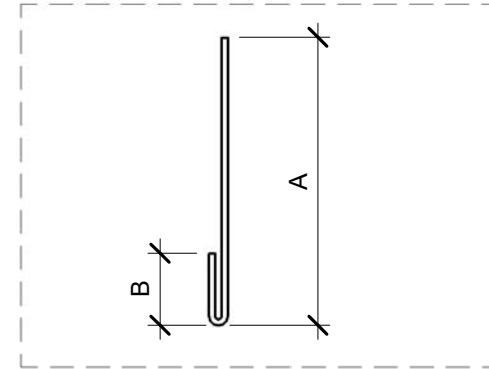
Drawn by

Checked by

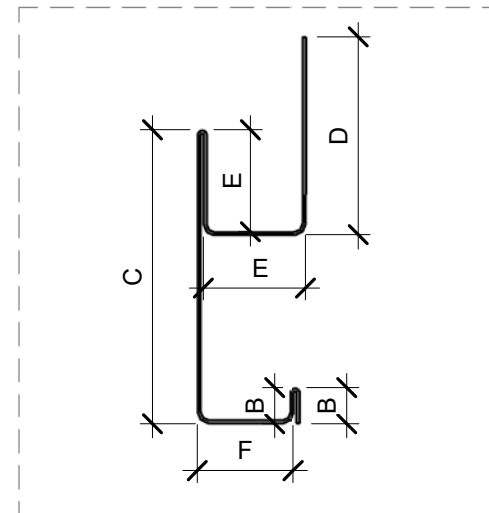
J Molding Extended in 2 parts - part 953

Scale NOT TO SCALE

11.J Molding Extended Wall Start/Finish in 2 parts - part 956



Section - 2" material



Section - 9" material

METALUNIC

D402-1 : 10/2024

Portfolio of Board & Batten System
Manufactured Trims & Moldings

Project number

Date

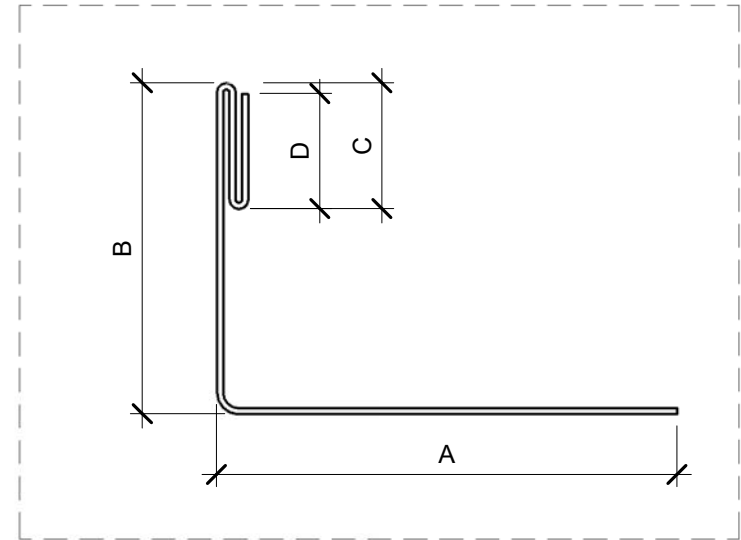
Drawn by

Checked by

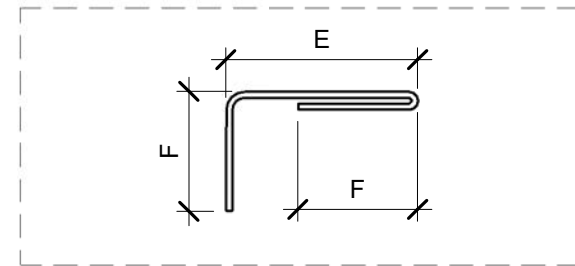
J Molding Extended Wall Start/Finish in
2 parts - part 956

Scale NOT TO SCALE

12. J Molding in 2 parts - part 957



Section - 5" material



Section - 2.25" material

METALUNIC

D402-1 : 10/2024

Portfolio of Board & Batten System
Manufactured Trims & Moldings

Project number

Date

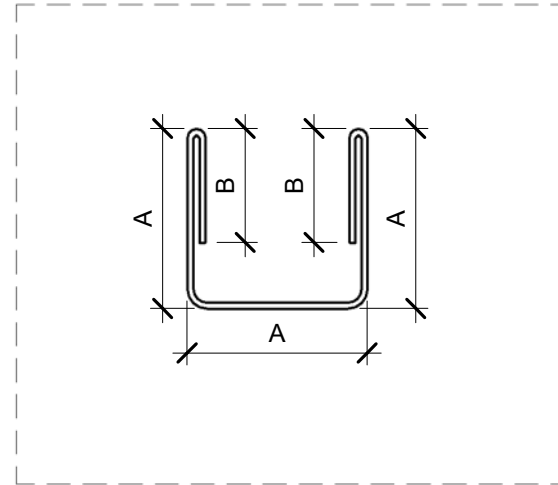
Drawn by

Checked by

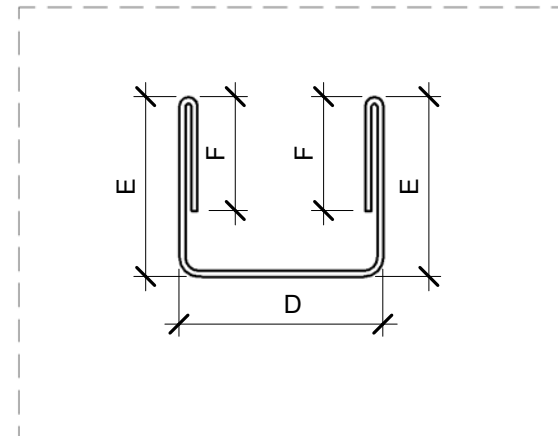
J Molding in 2 parts - part 957

Scale NOT TO SCALE

13.Batten Fillers (Type A large & Type B small) - part 958



Type B Section - 4" material



Type A Section - 4.125" material

METALUNIC

D402-1 : 10/2024

Portfolio of Board & Batten System
Manufactured Trims & Moldings

Project number

Date

Drawn by

Checked by

Batten Fillers (Type A large & Type B small) - part 958

Scale NOT TO SCALE